



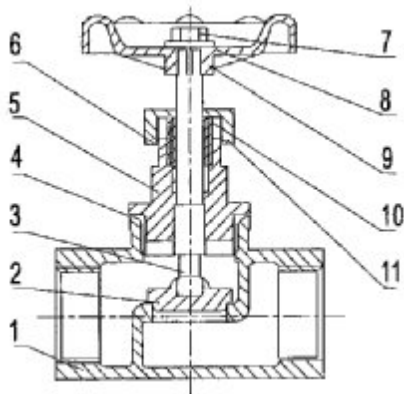
## STAINLESS STEEL VALVES

### GENEBRE PART: 2230N STAINLESS STEEL GLOBE VALVE, NPT



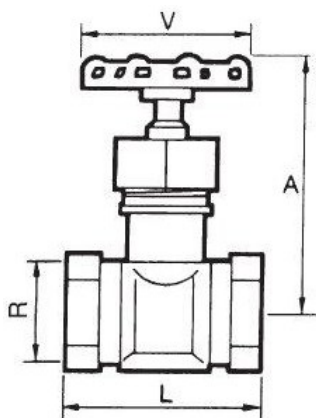
#### SPECIFICATIONS

1	Material CF8M (316 Stainless Steel)
2	Ends threaded ANSI B 2.1 NPT
3	Max working pressure 16 Bar
4	Working temperature +180°C
5	PTFE Stem packing



#### MATERIALS

1	CF8M (316 Stainless Steel)
2	SS 316
3	SS 316
4	PTFE
5	CF8M
6	SS 316
7	SS 304
8	SS 304
9	Aluminium
10	SS 316
11	PTFE



#### DIMENSIONS

AVOL REF	SIZE	A mm	L mm	Wt Kg
2230N 04	1/2"	97	65	0.38
2230N 05	3/4"	103	75	0.60
2230N 06	1"	116	90	0.85
2230N 07	1 1/4"	135	105	1.37
2230N 08	1 1/2"	152	120	1.88
2230N 09	2"	164	140	2.68